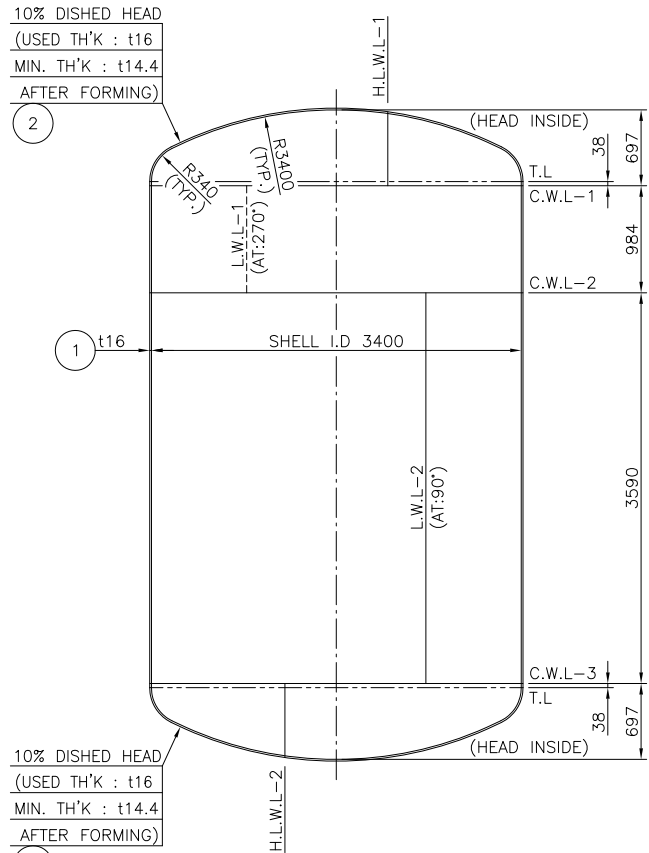


DESIGN DATA			
LOCAL REGULATION	<input type="checkbox"/> 산업안전보건법 (INDUSTRIAL SAFETY AND HEALTH ACT / KOSHA)	<input type="checkbox"/> 고압가스안전관리법 (KOREA HIGH-PRESSURE SAFETY CONTROL LAW / KGS)	<input type="checkbox"/> 원자력 이용관리법 (RATIONAL ENERGY UTILIZATION ACT / KEA)
CODE		TYPE	VERTICAL
CAPACITY (T/W) (m ³)		CODE STAMP	
LIQUID NAME		No. OF REQ'D	
PRESSURE DESIGN		INSULATION (mm)	
BarG (MPaG)		SPECIFIC GRAVITY	
TEMP. DESIGN		FIRE PROOFING	
(°C)		ERECTOR	
TEST PRESSURE		WEIGHT (kg)	
BarG (MPaG)		EMPTY OPER.	
CORR. ALLOW. (mm)		TEST	
RADIOGRAPHIC (S/H)			
JOINT EFF. (S/H)			
P.W.H.T / S.R			
M.D.M.T °C			
WIND VELOCITY (m/sec)			
SEISMIC FACTOR			

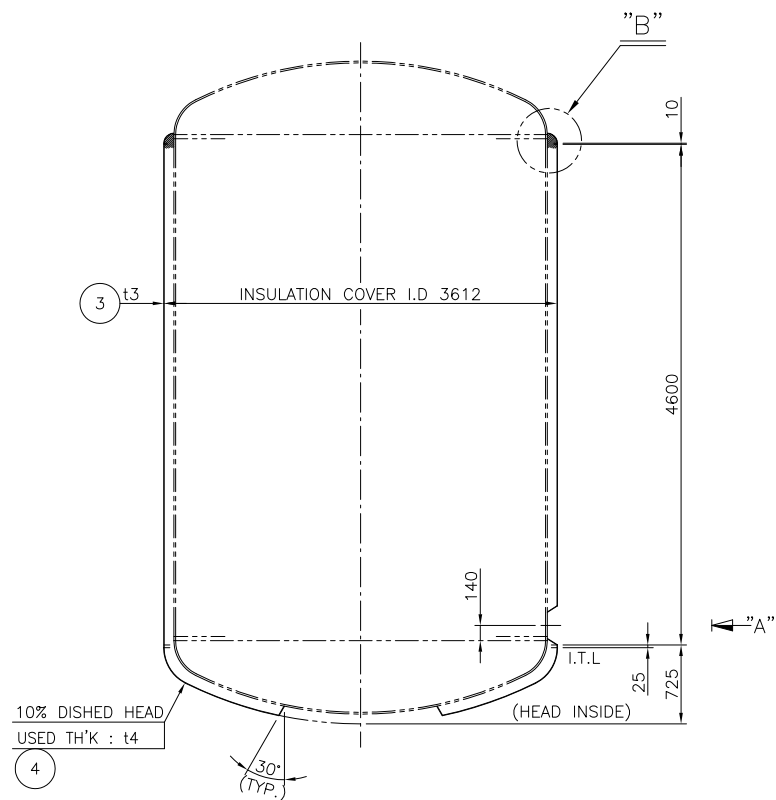
NOZZLE LIST						
NOZZLE MARK	QTY	NOMI. SIZE	SCH. No.	FLANGE RATING	SERVICE	REMARK
M1	1	I.D500	-	SPECIAL		SEE DWG.
N1	1	65x2.5S	-	FERRULE		SEE DWG.
N2A	1	4S	-	SPECIAL		SEE DWG.
N2B	1	DN100	-	SPECIAL		SEE DWG.
N3	1	1.5S	-	SPECIAL		SEE DWG.
N4A	1	45x15	-	FERRULE		SEE NOTE 8 SEE DWG.
N4B	1	45x15	-	FERRULE		SEE NOTE 8 SEE DWG.
N4C	1	45x15	-	FERRULE		SEE NOTE 8 SEE DWG.
N5	1	3S	-	FERRULE		SEE DWG.
N6	1	3S	-	FERRULE		SEE DWG.
N7	1	Rd52	-	SPECIAL		SEE DWG.
N8	1	DN25	-	INGOLD		SEE DWG.
N9	1	Rd52	-	SPECIAL		SEE DWG.
N10A	1	GMP 30000	-	SPECIAL		SEE DWG.
N10B	1	GMP 30000	-	SPECIAL		SEE DWG.
N11	1	35x2S	-	SPECIAL		SEE DWG.
N12	1	G3/8"	-	SPECIAL		SEE DWG.
N13	1	1S	-	SPECIAL		SEE DWG.
N14	1	DN25	-	INGOLD		SEE DWG.
N15	1	1.5S	-	SPECIAL		SEE DWG.
N16	1	2S	-	SPECIAL		SEE DWG.
N17	1	1S	-	SPECIAL		SEE DWG.
J1	1	80A 20S	-	KS10K SO,RF		SEE DWG.
J2	1	80A 20S	-	KS10K SO,RF		SEE DWG.
X	1	2S	-	SPECIAL		SEE DWG.

MATERIAL SPECIFICATION	
SHELL, HEAD	
INTERNAL PIPE WORK	
DIP TUBES	
MISC. WETTED PARTS	
SHELL NOZZLES	
HALF COIL FLANGES	
HALF COIL	
SUPPORT LUGS/LEGS	
WELDED EXTERNAL TO THE VESSEL	
EARTH LUG	
INSULATION	
GASKET	
BOLTS/ NUTS	

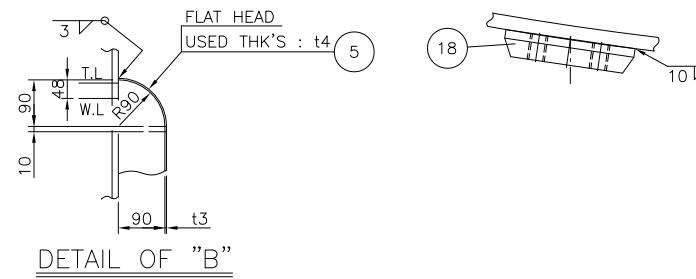
CONFIDENTIAL



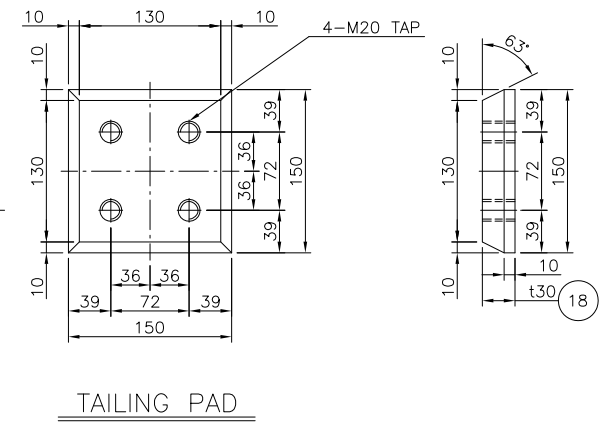
BODY SEAM



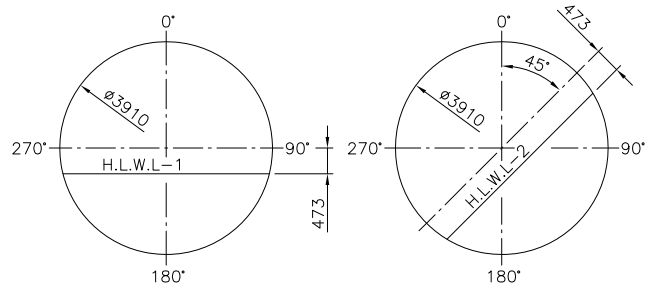
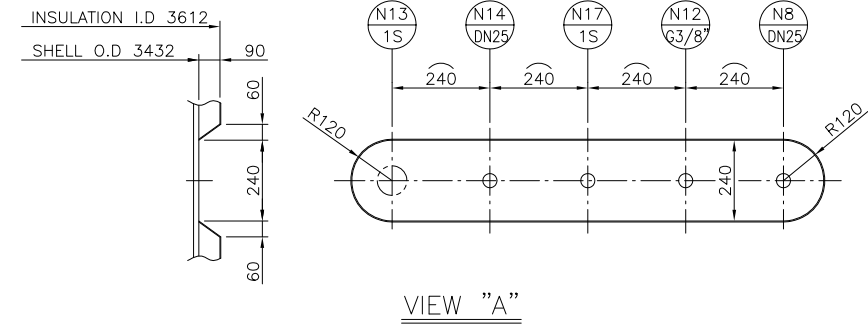
INSULATION COVER



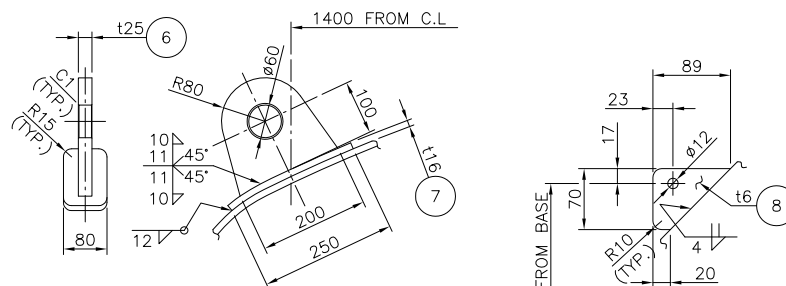
DETAIL OF "B"



TAILING PAD

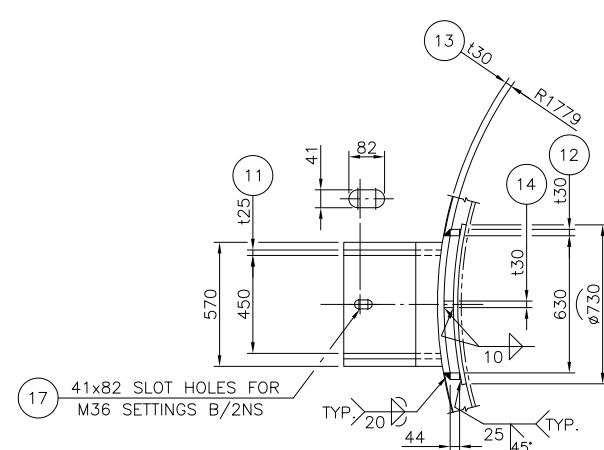


HEAD SEAM

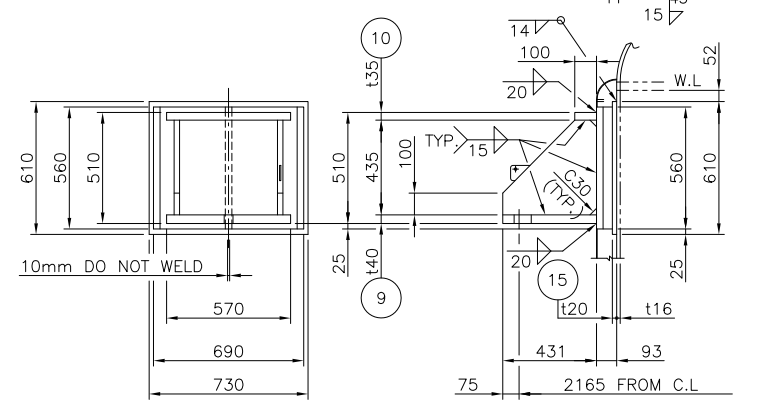


LIFTING LUG

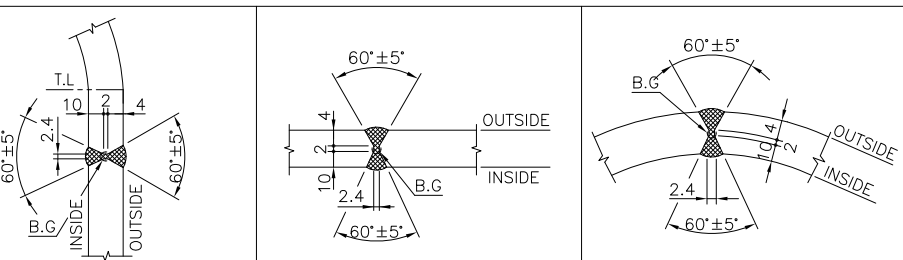
EARTH LUG



41x82 SLOT HOLES FOR M36 SETTINGS B/2NS



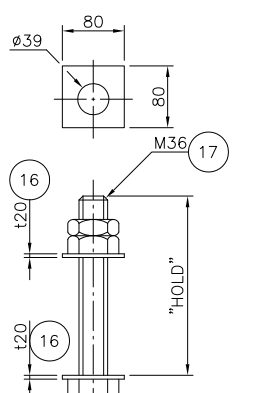
SUPPORT LUG



C.W.L-1,3

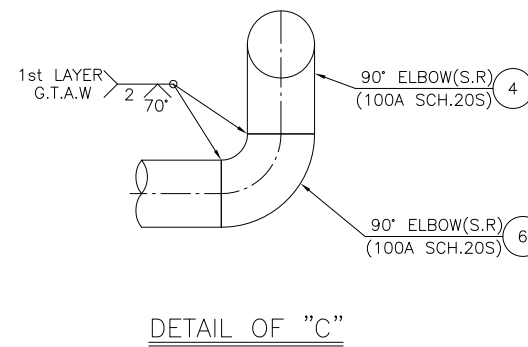
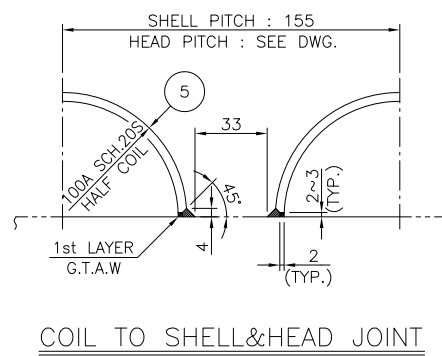
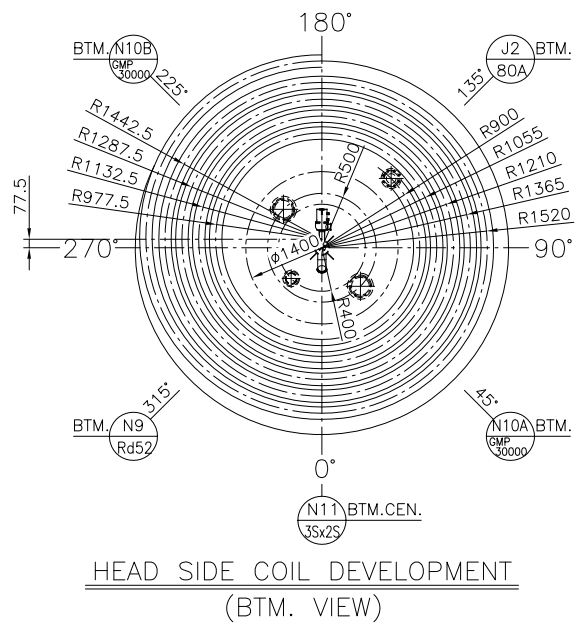
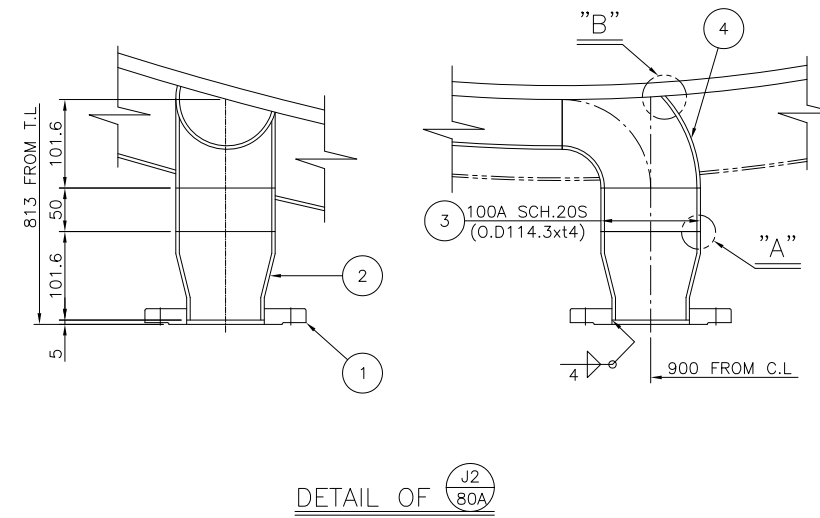
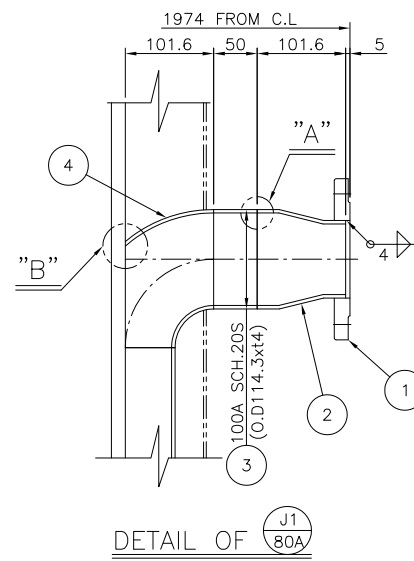
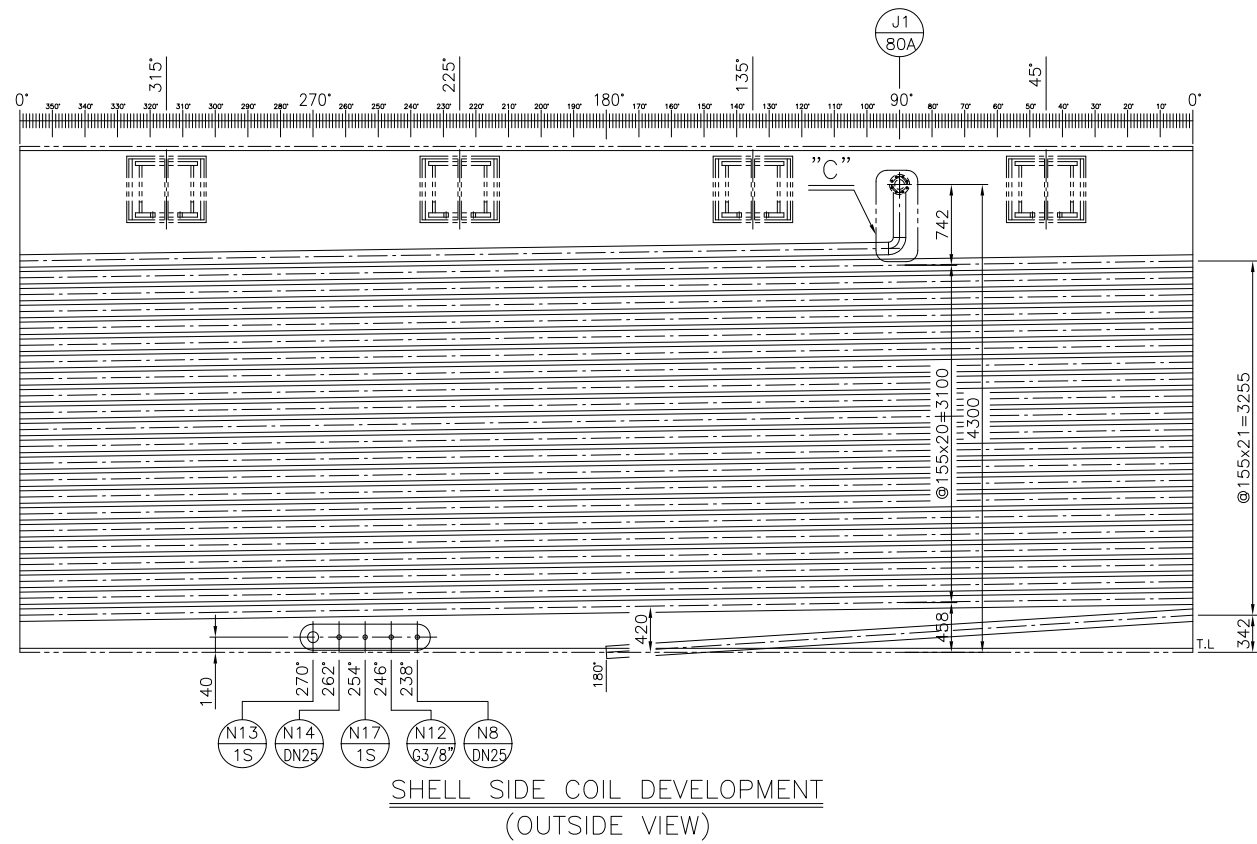
H.L.W.L-1,2, C.W.L-2

L.W.L-1,2



SETTING B/2NS/2WS

18	TAILING PAD					
17	SETTING B/2NS/2WS					
16	WASHER					
15	REINF.PAD					
14	SUPPORT PLATE					
13	SUPPORT PLATE					
12	SUPPORT PLATE					
11	GUSSET PLATE					
10	COMPRESSION PLATE					
9	BASE PLATE					
8	EARTH LUG					
7	REINF.PAD					
6	LIFTING LUG					
5	FLAT HEAD					
4	INSULATION HEAD					
3	INSULATION SHELL					
2	HEAD					
1	SHELL					
PART NO.	NAME OF PART	MATERIAL	NO. REQ'D	SPARE	UNIT	REMARK
PART CODE						



PART NO.	NAME OF PART	MATERIAL	NO. REQ'D	SPARE	UNIT	REMARK
6	90° ELBOW(S.R)					
5	HALF COIL					
4	90° ELBOW(S.R)					
3	NOZZLE NECK					
2	REDUCER					
1	FLANGE					

